
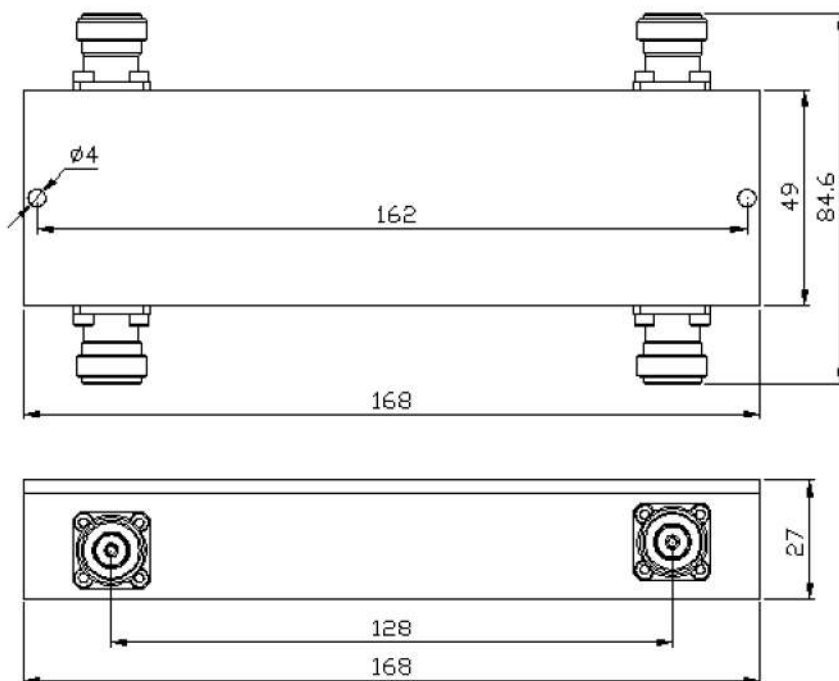


Item	ACC-BH-00018	Product Picture
Frequency Range (MHz)	700-2700 MHz	
Coupling (dB)	3.1 ±0.5 dB	
VSWR	≤1.20	
Insertion Loss (dB)	<0.2	
Input Isolation (dB)	≥30	
IM Product	-153dBc@2X43dBm	
Power	200 (500W MAX)	
Impedance (Ω)	50	
Temperature Range (°C)	-30~+85	
Relative Humidity	0% to 100%	
Connector	N/Female	
Environmental	Indoor/Outdoor use, IP65 RoHS Compliance	

Product Drawing



Note: The picture is only for reference, please make the object as the standard.